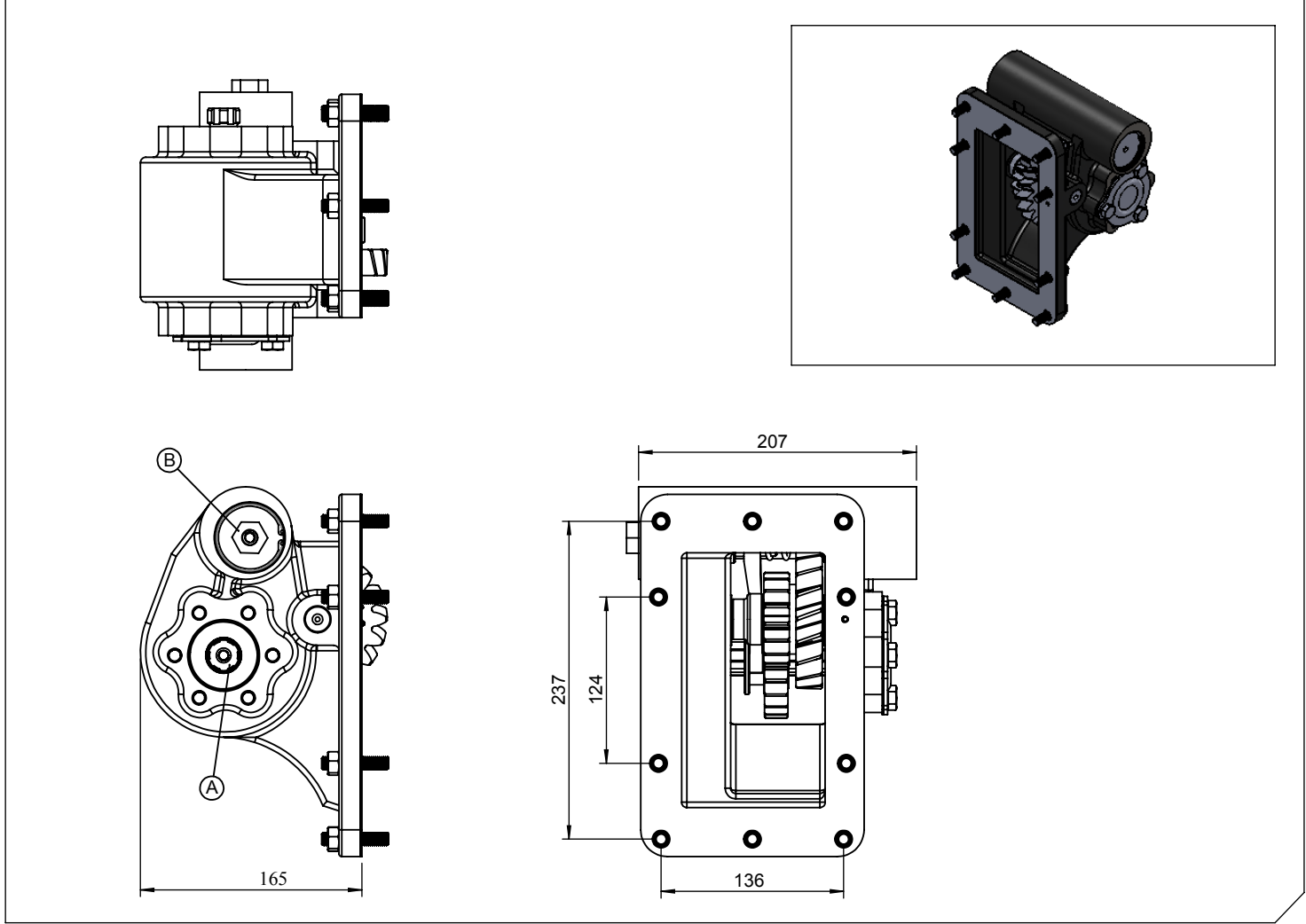


Vehicle Type	93- 100H - 111 - 112 - 113R - 143P - 82 H 220-93 HG 230 SCANIA
Gearbox Type	G 770 - GS 771 - G 670 - GS 760 - GS 750

Product Code	SCA.13.770.KF
---------------------	----------------------



Products Views



Component Details

<p>A : PTO Output (Standard DIN 5463 6X21X25 UNI 3 Bolt) Direct mounting ISO 4 bolt mtg. adapter Drive flange</p> <p>B : Air Inlet R 1/4"</p>	
---	--

Technical Details

Power	Maximum Torque		Input/Output	Mounting Side	Control Type
	kW	Nm			
26.8	256	26.2	1/0.87	Right	Pneumatic
				Weight	Sense of Rotation
				16 kg	Opposite of Input